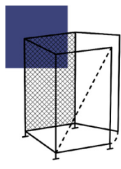
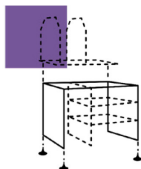


Applications 2019

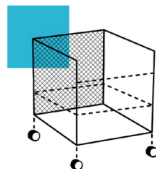
Let's create efficient and appropriate workplaces!



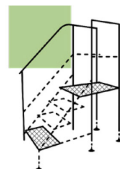
Machine frames and housings



Workstations and technical furniture



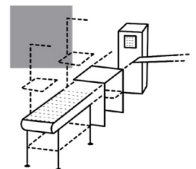
Trolleys & carts, material handling



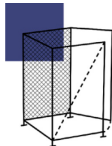
Access platforms, gangways and steps



Material flows and conveyors

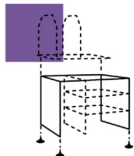


... specialized production cells and full installations



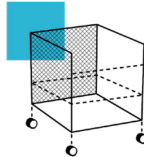
Machine frames and housings

04-13



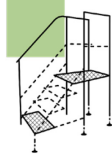
Workstations and technical furniture

14-31



Trolleys & carts, material handling

32-41



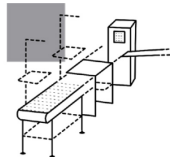
Access platforms, gangways and steps

42-43



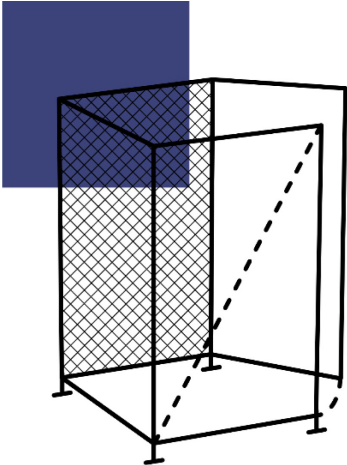
Material flows and conveyors

44-57



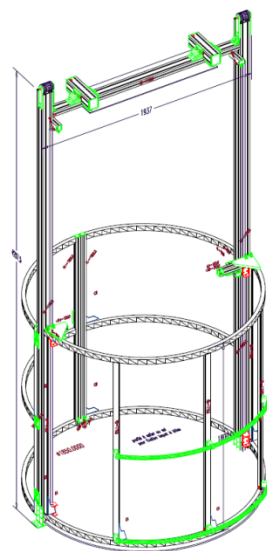
... specialized production cells and full installations

58-63



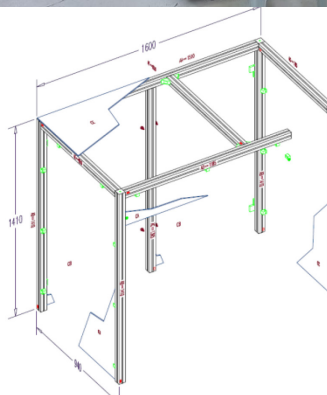
Machine frames
and housings

N18N118 - BMO/CHS
Guarding system with sliding cover for
masonry compression tests



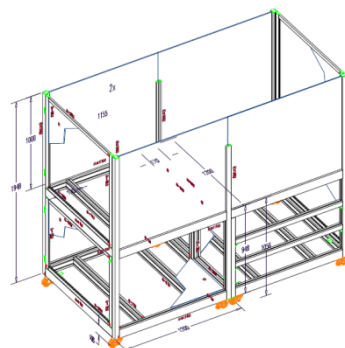
EC18R00369-AB

PR1902568 - LDB/BME - Machine for the metallization
of caps in the cosmetics industry



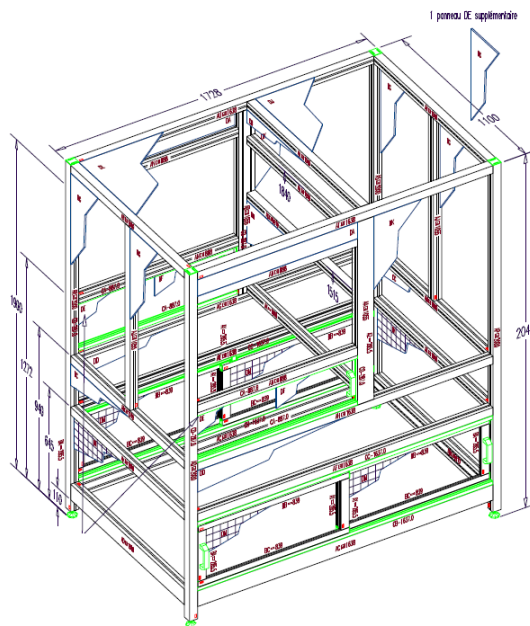
EC19P00075

PR1906944 - MGR/MOT
 Robot supporting frame for product showcase



**EC19N00364 &
 EC19N00365**

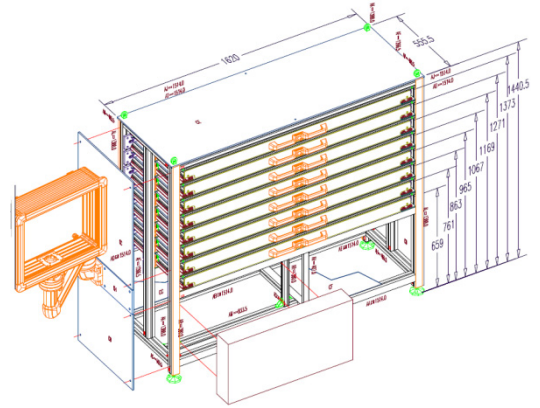
PR1903792 - LDB/ZES
 Casing / Test machine / Laser machining



EC19G00240

PR1901088 - PAG/VJU

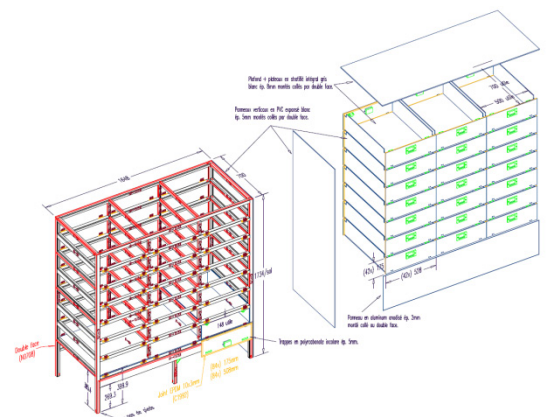
Storage cabinet with 8 drawers/ capacity of 408 000 parts / Storage of rubis with pick to light feature



EC19G00323

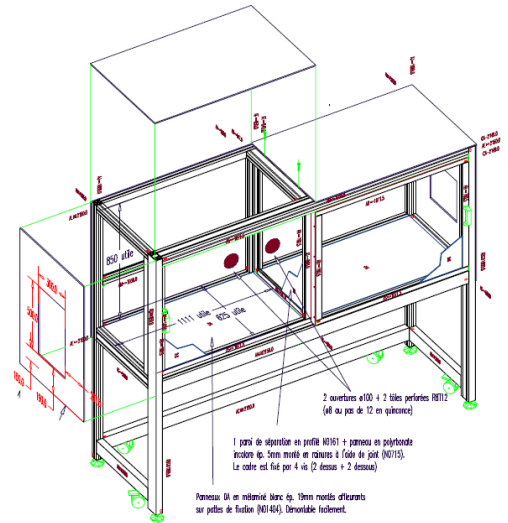
N18K081 - SEP/NIS

Shelf with 21 drawers/ built-in/ double access working as an airlock for a white room



EC18K00370

PR1800082 - SEP/NIS
Casing for fume hood

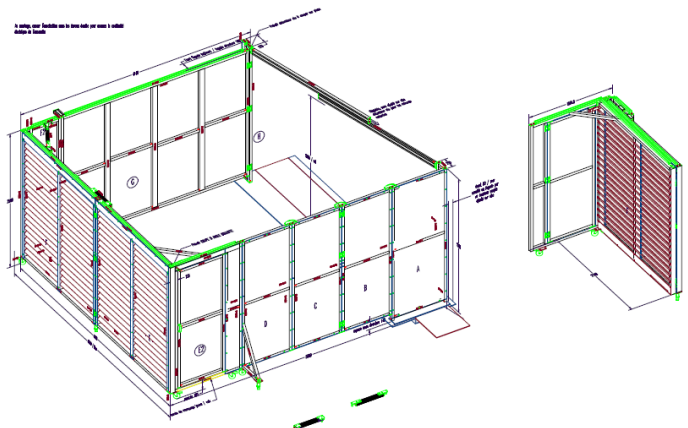
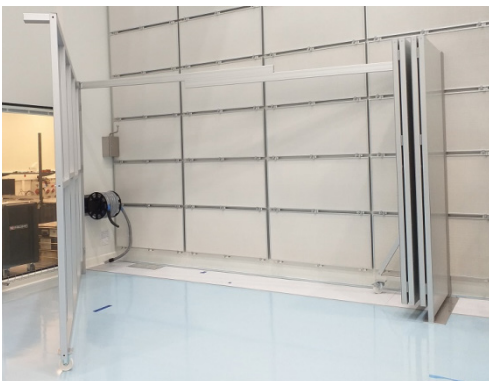


EC19C00194

PR1910078 - PAG/BME
Foldable booth installed in a white room/ guarding system
from laser radiations



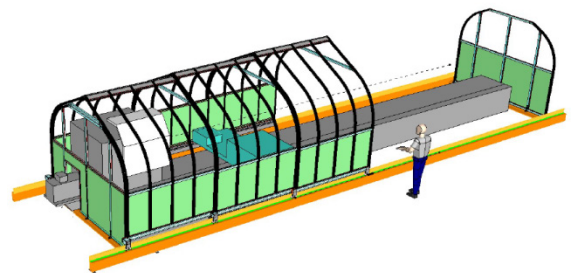
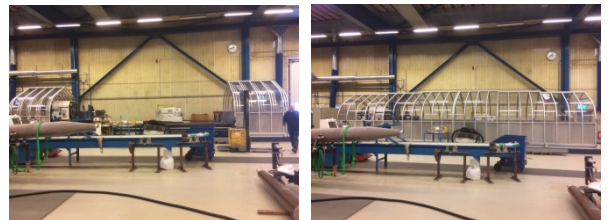
EC19X00059



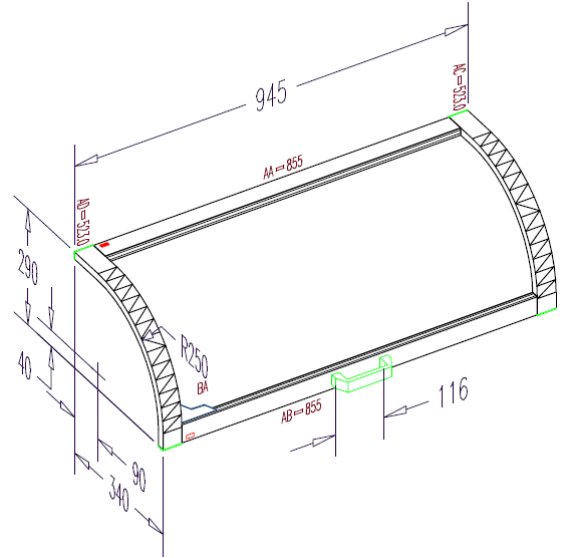
M19-116-F3 - Storage rack PCB –
Norcan Morocco



14 meters long sliding guarding system - Norcan Svenska



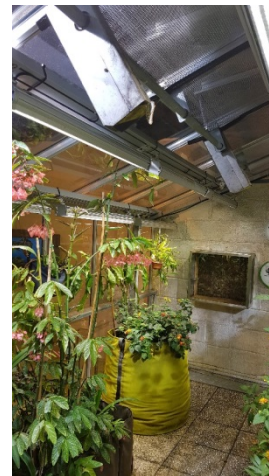
PR1906556 - CLI/VBE
 Casing / Door driven by a gas-powered
 actuator



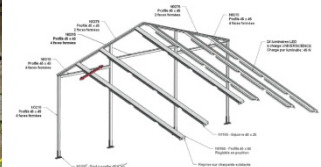
EC19M0091



PR1903647 - PAG/négoce
 Profiles and accessories for tailor-made aquarium

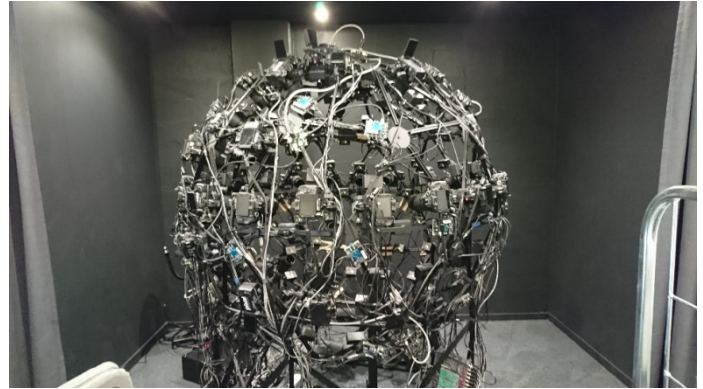


EC15T00515

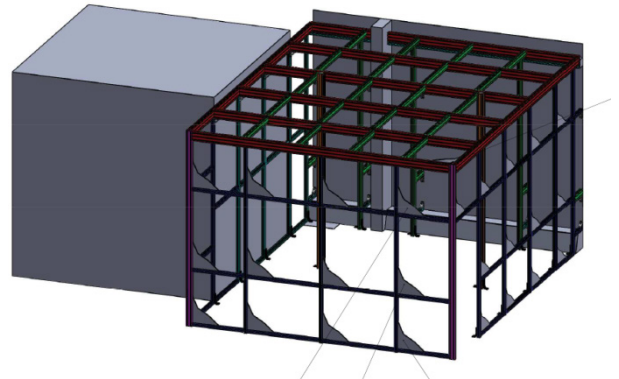


Cité des Sciences - N17X142 - CLI/BMO
 Lighting structure – Greenhouse for butterflies

Camera supporting sphere for 3D photo shoots (character modeling for movies and video-games) – Norcan Svenska



N180083H - Booth - Norcan Polska



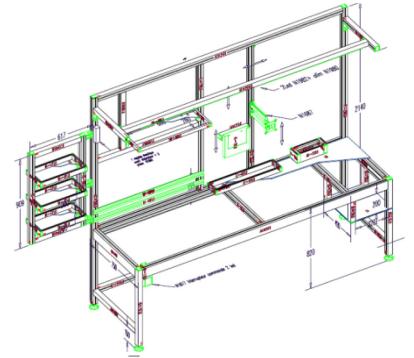
MN15724-MK8096 - ORI/JLL
Casing for hydraulic tests – Height of 3500mm –
Norcan Hispanica



MN15659-MK8030 - SBM/OTB -
Modular casing with acoustic panels -
Norcan Hispanica

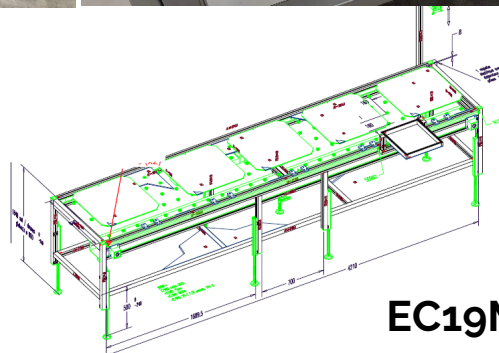
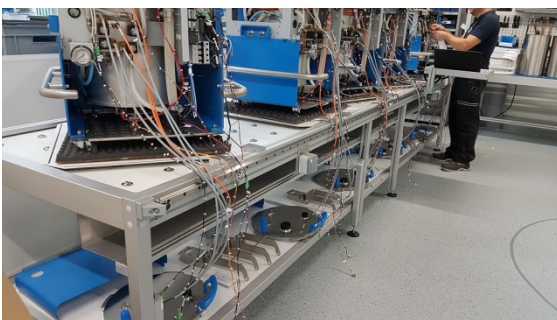


PR1900638 - HRO/CHS
Production line

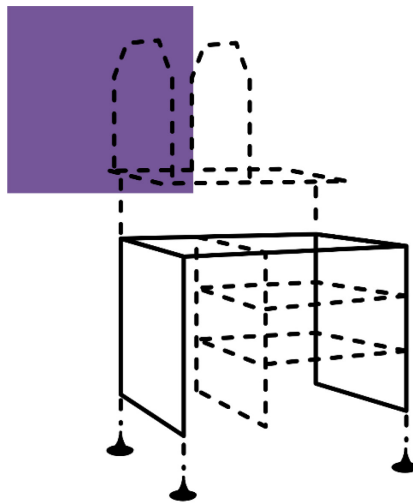


EC18Y00274

PR1905490 - HRO/CHS
Production and control line/ Ball table – Lifting capacity of 800Kg
/ indexing system

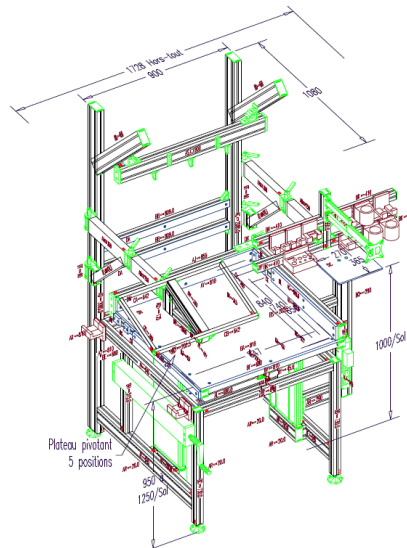


EC19M00204



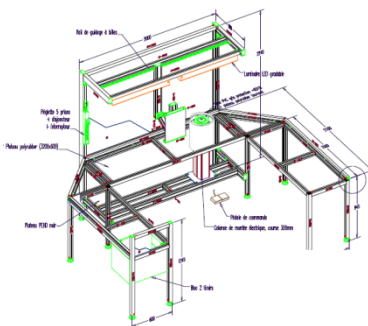
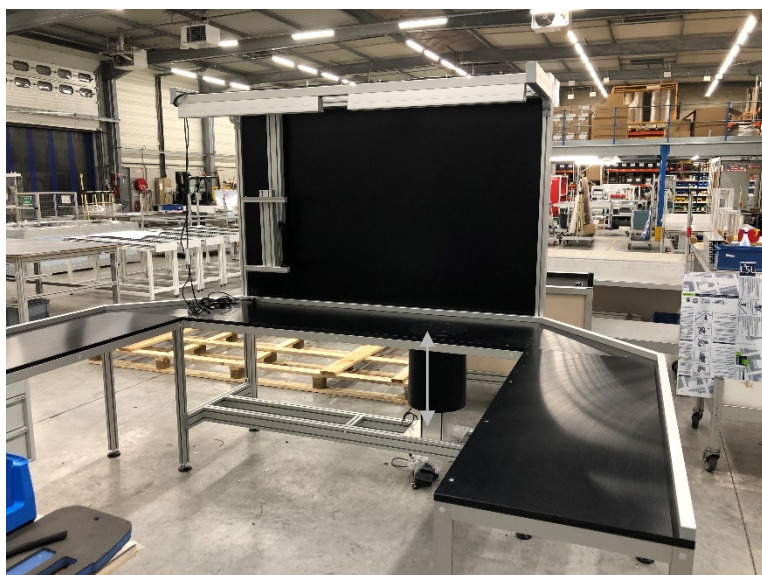
Workstations and technical furniture

PR1902346 - ZES/RNA
Workstation



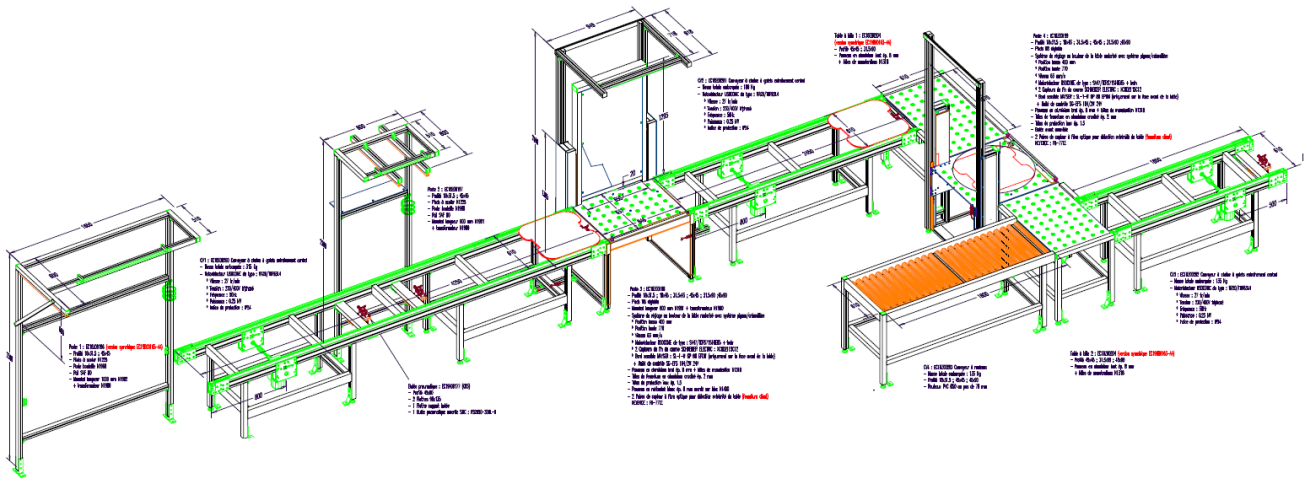
EC19L00291

PR1907678 - RNA/BME - Double sided reverse workstation



EC19T00319

PR1900084 - LDB/VJU
 Ball table / production line for Hi-Fi
 speakers/ height adjustable workstation :
 400 to 770mm : rack and pinion system/
 prevents finger entrapment

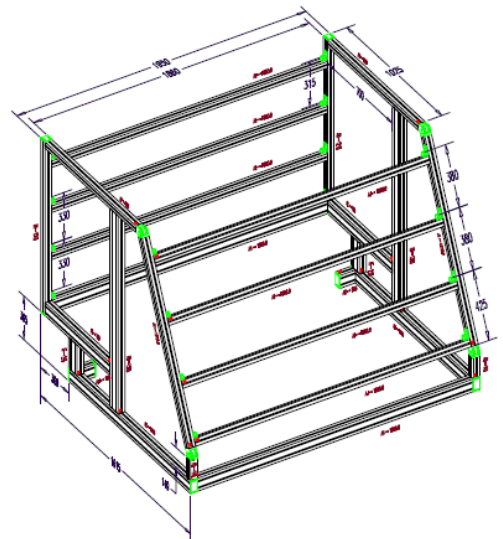


EC18Z00206

PR1906158 - PAG/NIS
Dynamic storage systems /
pick to light



PR1900068 - HRO/VJU
FIFO / pick to light



EC18Y00082

PR1902877 - MGR/VJU
Gravity driven tubular frame

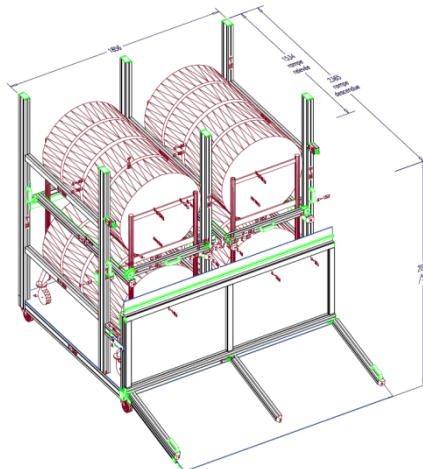


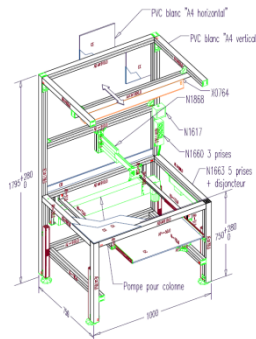
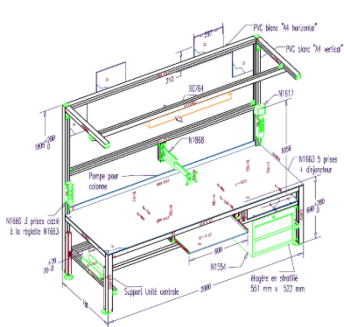
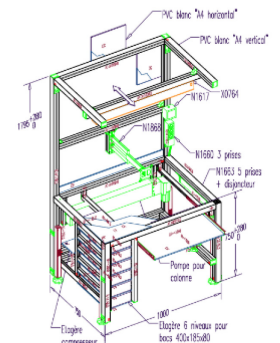
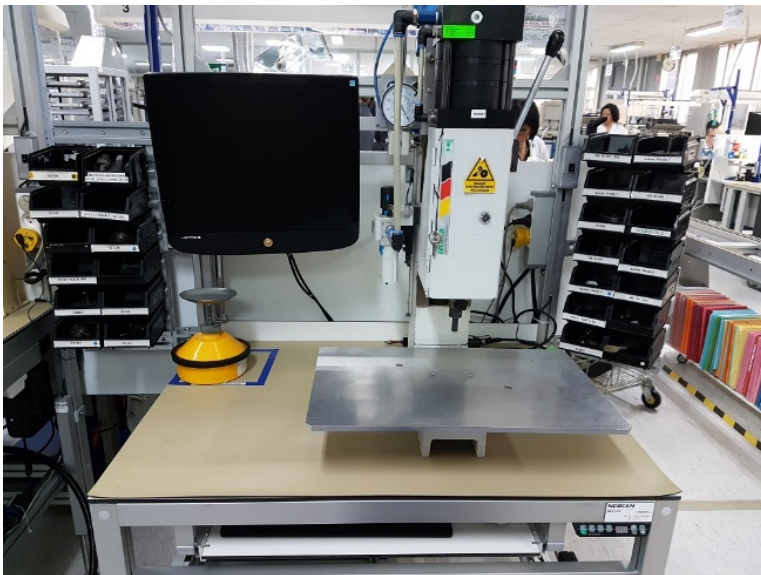
EC19K00059

PR1907680 - CLI/ZES
Cart to convey tires / contains two trolleys



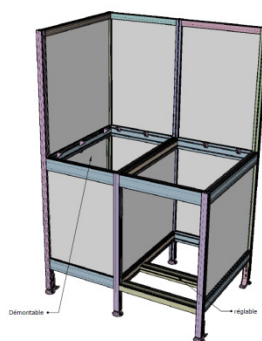
EC19S00126



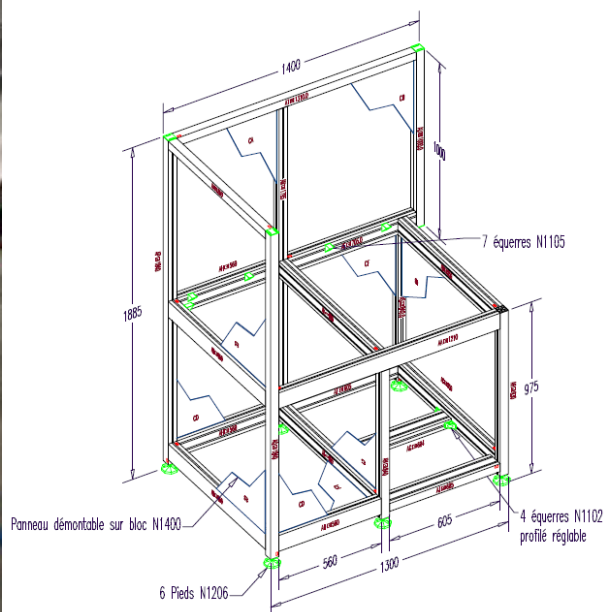


EC19U00144
EC19U00349
EC19V00003
EC19V00068

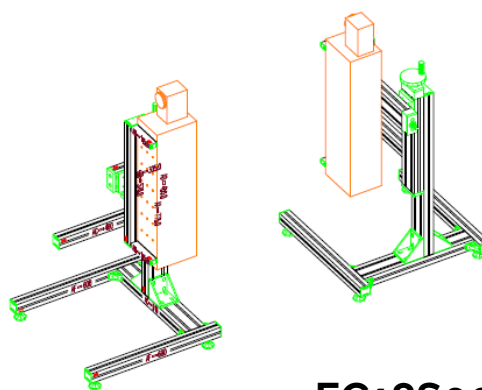
PR1907917 - MGR/BME
Supporting frame for UR robot



EC19S00122

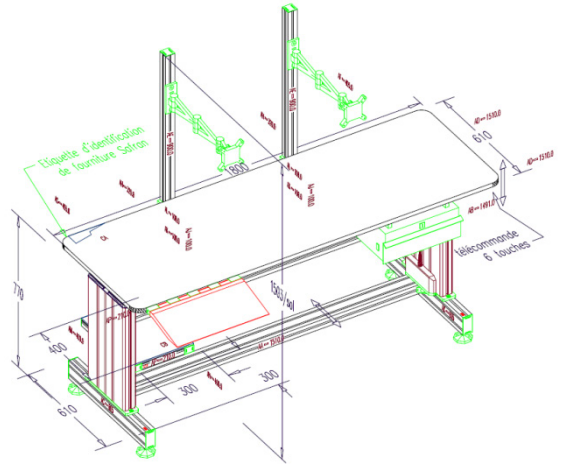
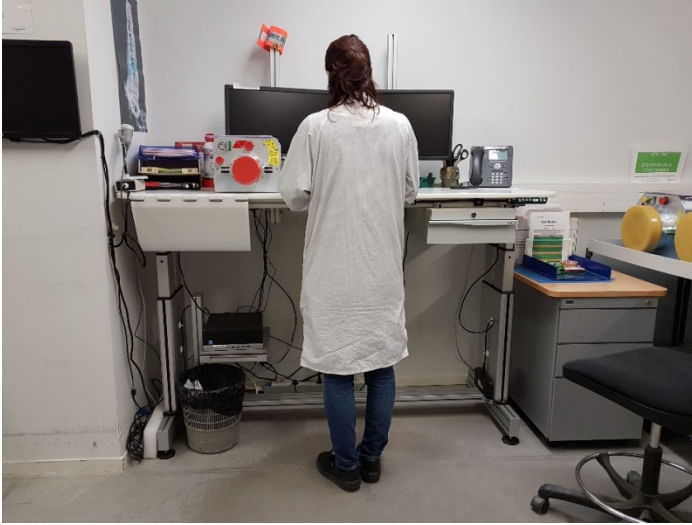


PR1800152 - CLI/WEC
X and Y module/ supporting frame for marking laser



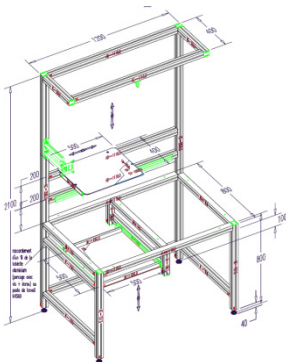
EC18S00352

N18M101 - SEP/CHS
 Motorized ergonomic workstation/
 Screen support

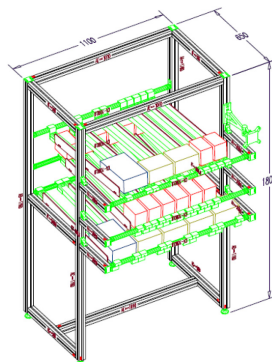


EC18W00111-AC

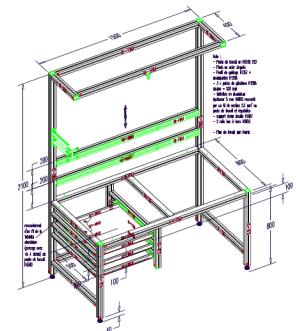
PR1900392 - CLI/NKO
 ESD workstations for white rooms and storage



EC19C00276



EC18M00046

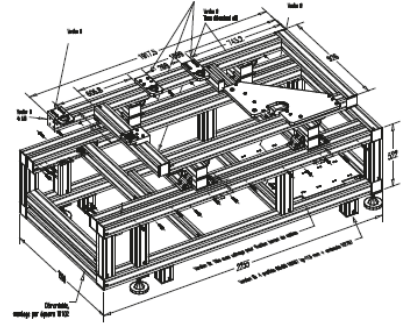
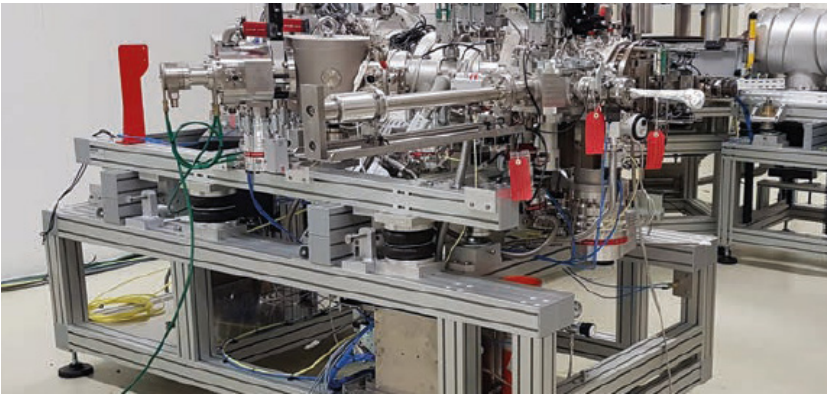


EC18V00147

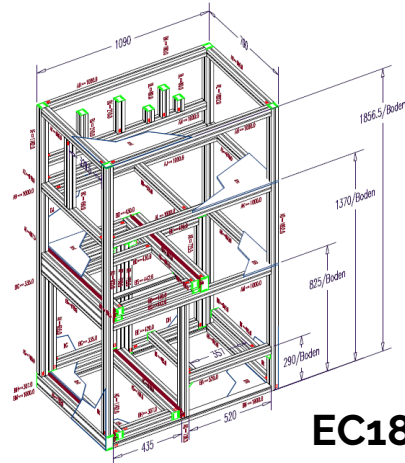
PR1906516 - CLI/NIS
 Laser supporting frame /
 maximum load : 3 tons



**EC16C00218
 & EC16C00258**

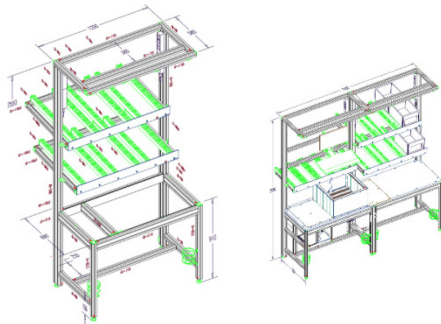
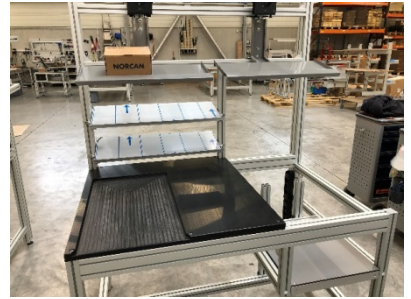
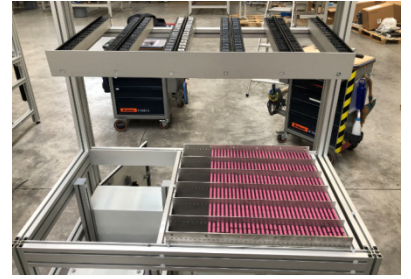
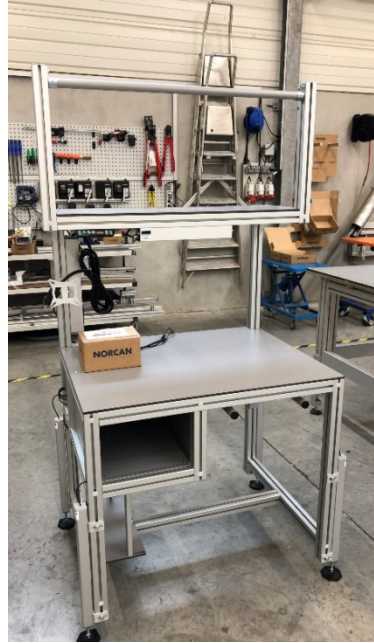


N18C184 - PAS/EKE - Norcan GmbH
 Marking laser supporting frame



EC18D00117

PR1907200 - PAS/EKE - Norcan Gmbh
Workstation / gravity driven ramp

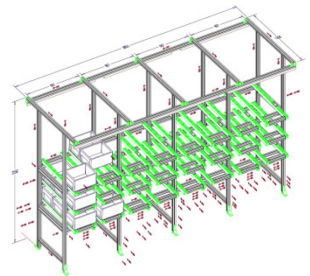


EC19P00167
EC19P00403
EC19P00168
EC19S00062

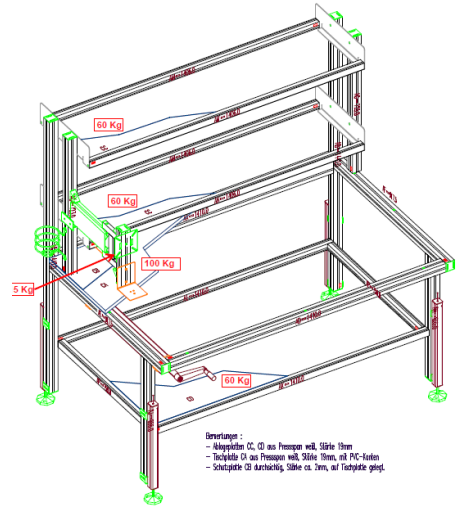
PR1907808 - PA/EKE - Norcan Gmbh



EC19R00120
EC19N00449

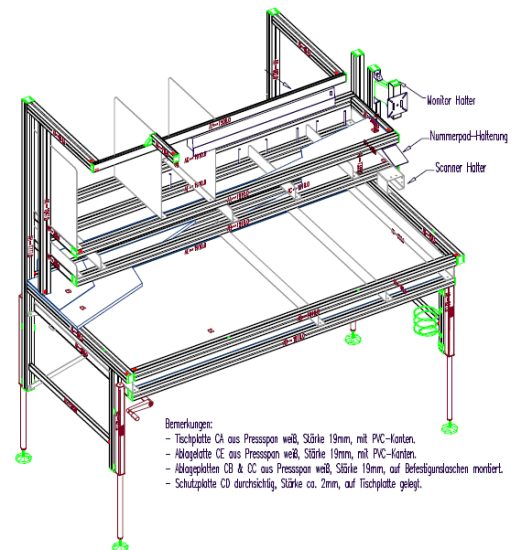


PR1906915 - PAS/TZO - Norcan GmbH
Packing station



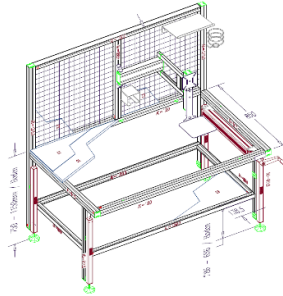
EC18P00516

PR1908295 - PAS/TZO - Norcan GmbH – Table for processing returning packages

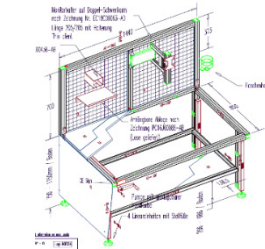


EC18T00339

PR1906538 - Norcan Gmbh - table for the reception of incoming packages



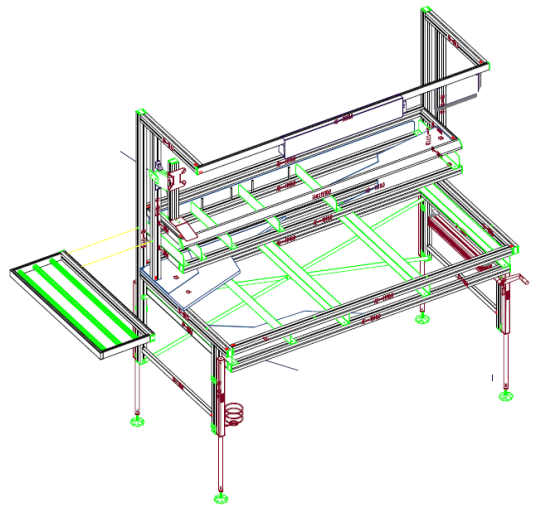
EC18T00338
EC19H00005



EC17Y00225

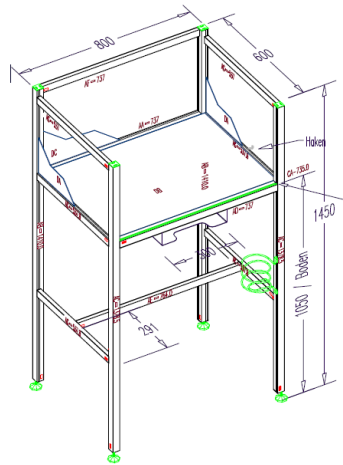


PR1906538 - Norcan Gmbh - Quality feedback workstation



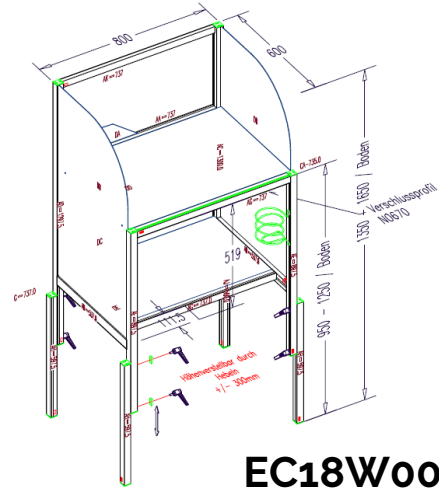
EC17Y00226

PR1906538 - Norcan GmbH – Reception's workstation for loading and unloading



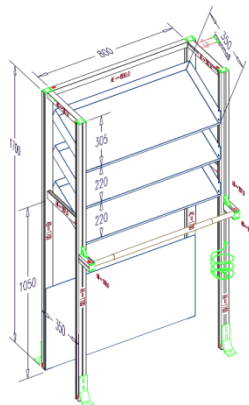
EC18Y00381

PR1906538 - Norcan GmbH



EC18W0045

PR1908643 - Norcan GmbH



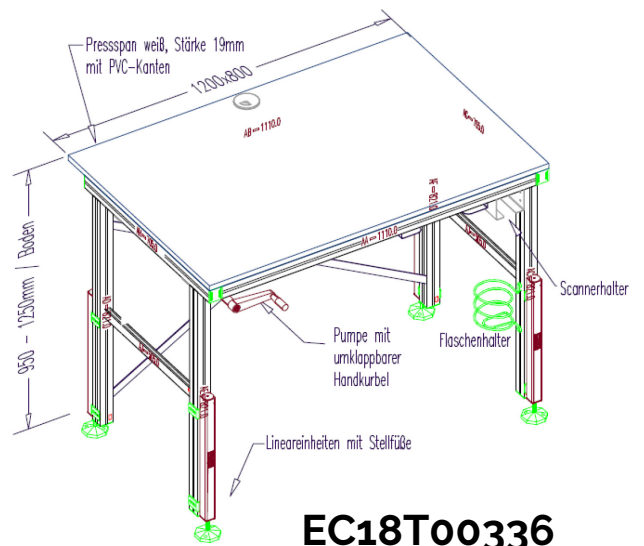
EC18Y00381

PR1904201 - Norcan Gmbh
Packing workstation



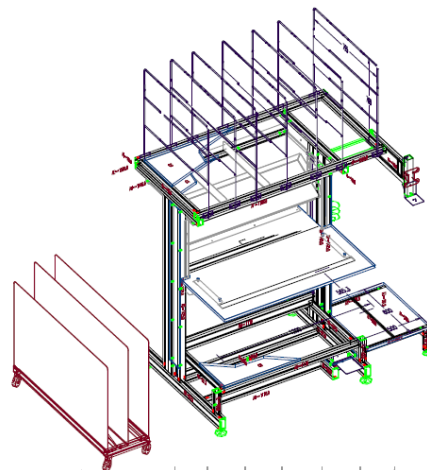
EC18K00200

PR1903555 - Norcan Gmbh

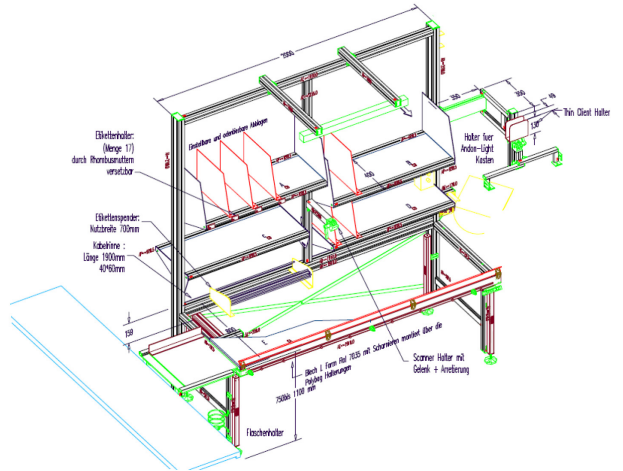
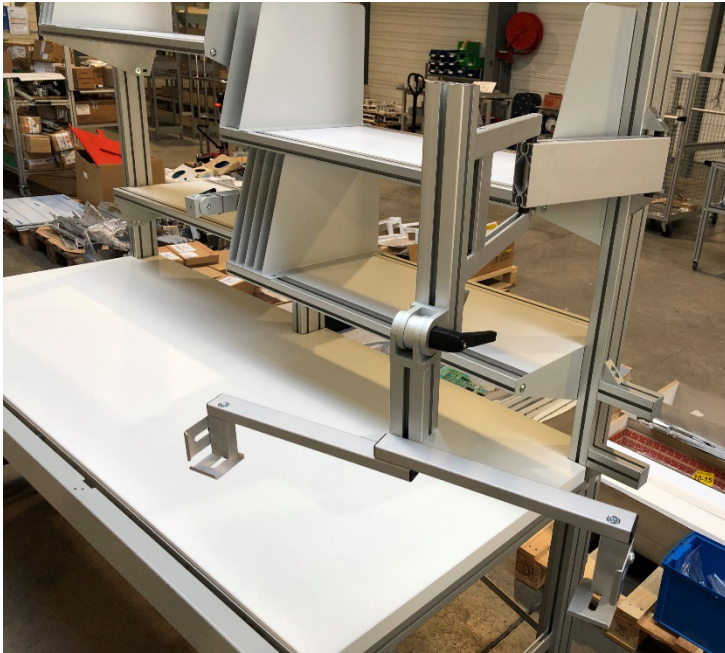


EC18T00336

PR1908643 - Norcan Gmbh

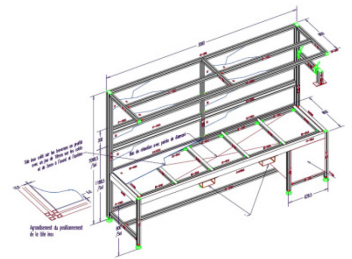


EC18Z00091



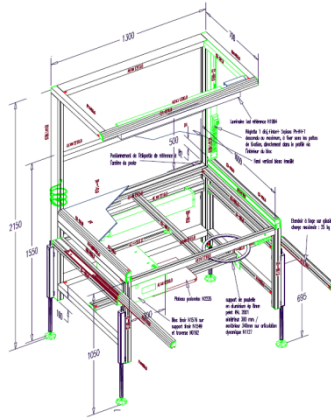
EC18D00394

PR1909225 - BMO/ZES
Workstation/ with retention container



EC19X00080

PR1910804 - LDB/NKO
Workstation for quality check

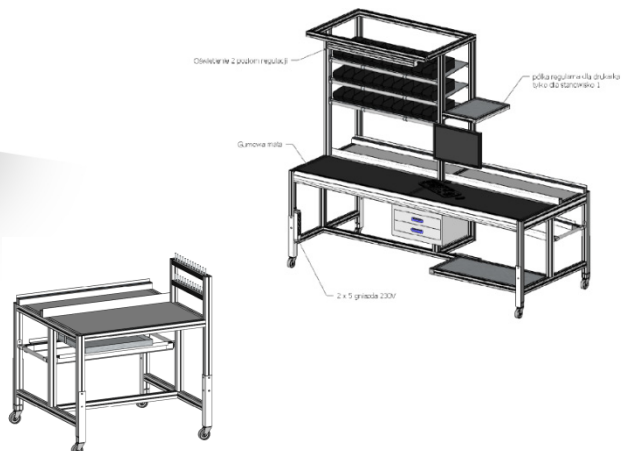


EC19V0012

N190028 - Workstation - Norcan Polska



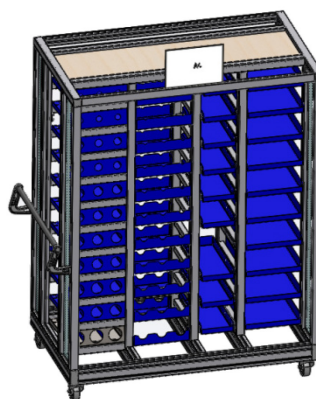
N180023 – Production line – Norcan Polska



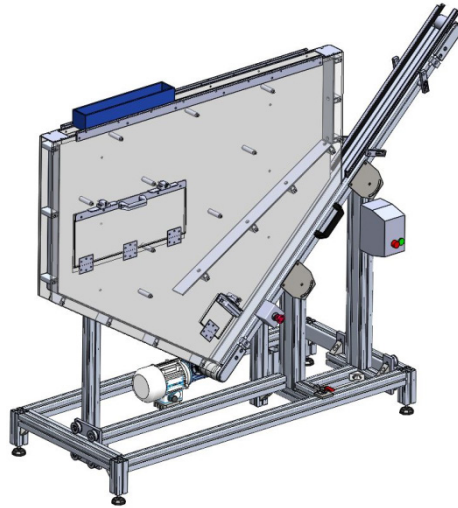
N180132 – Storage for radiators - Norcan Polska



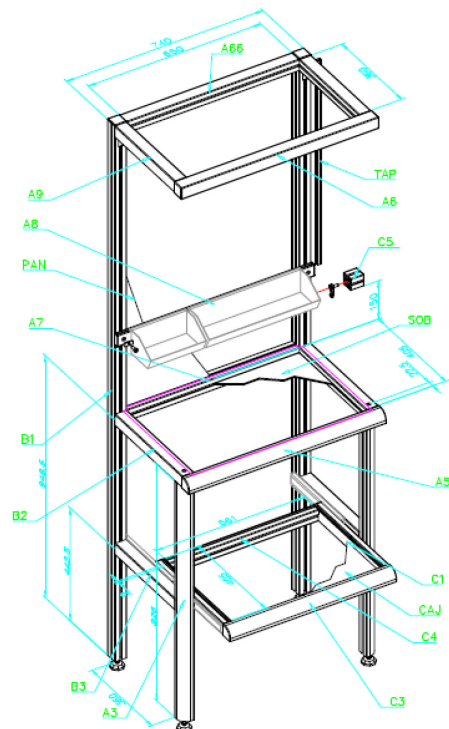
M19105F2 – Storage shelf for tools - Norcan Maroc

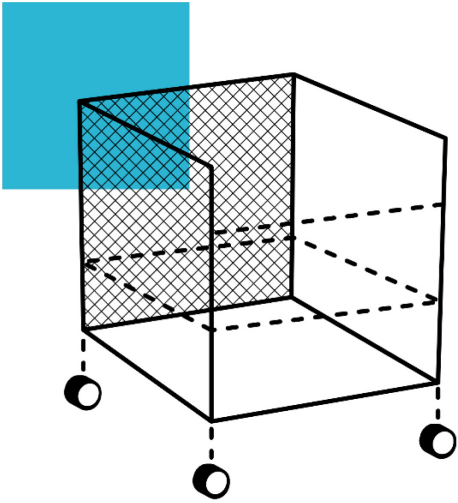


MN14276-MK6993 - ORI/OTB - Tank for printing bar codes on coils – Norcan Hispanica



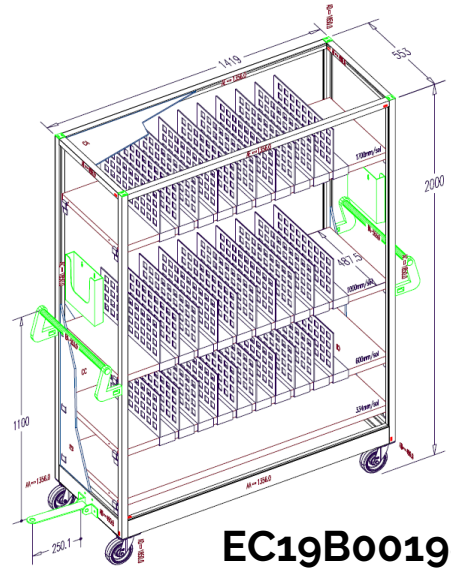
MN15905/MK8224B - ORI/ORI - Norcan Hispanica
Compact workstation with sliding shelf and tailor-made storage boxes





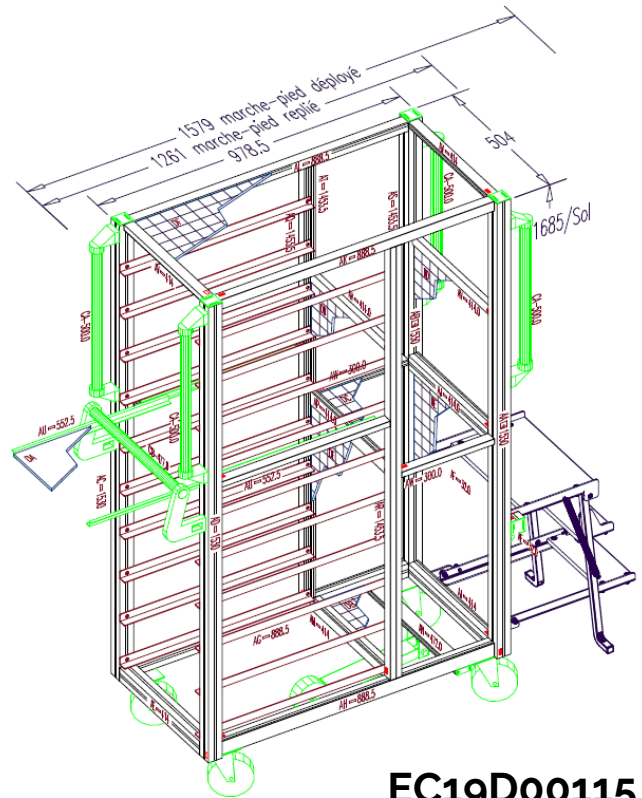
Trolleys & carts,
material handling

PR1902049 - CLI/NIS
Trolleys for picking



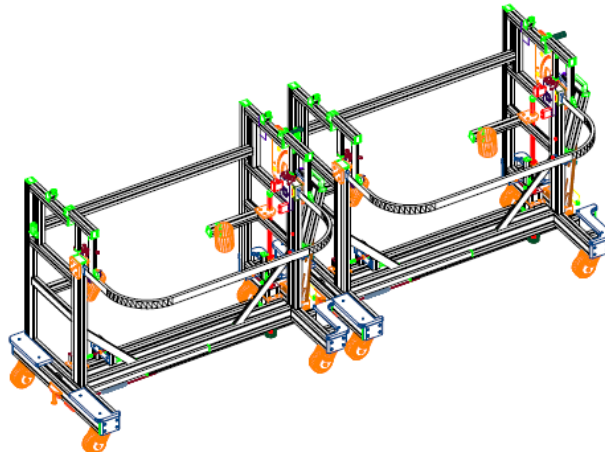
EC19B00198

PR1901641 - HRO/ZES
Trolleys for kitting with retractable footstool



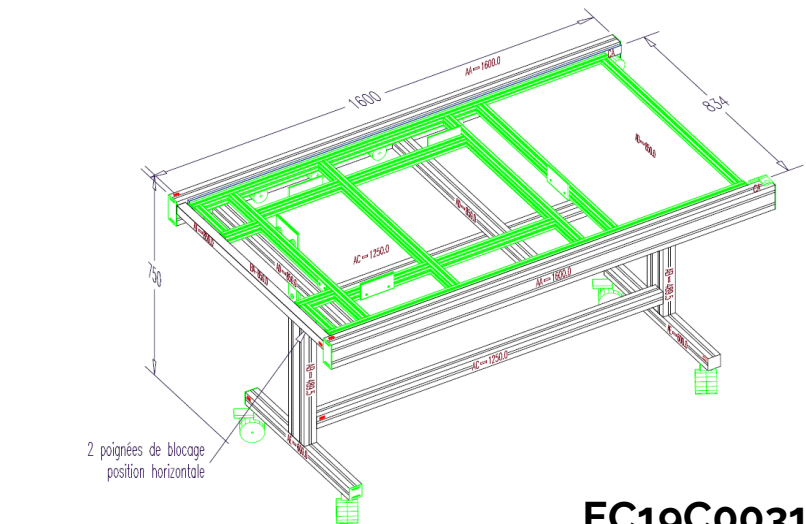
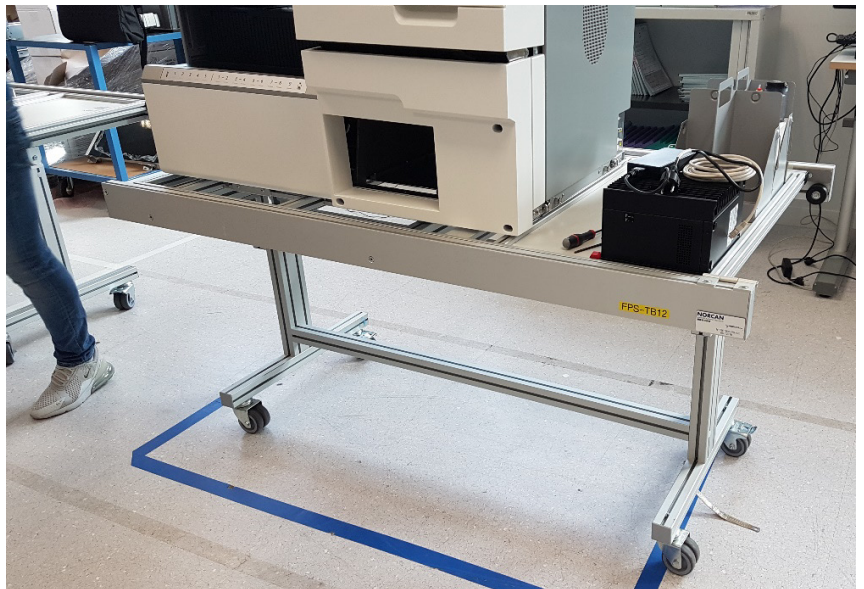
EC19D00115

PR1905245 - RNA/VJU
Cockpit support frame

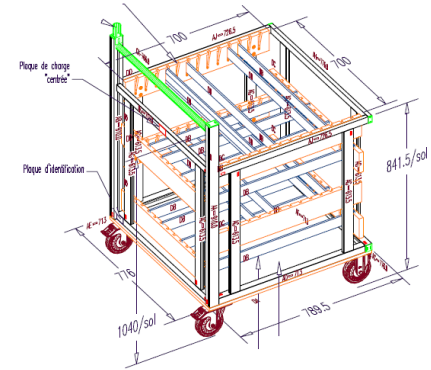


EC19H00193

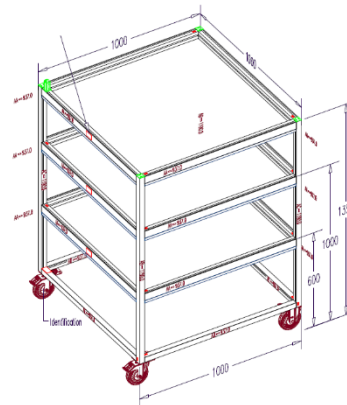
PR1800058 - CLI/CHS
Trolley with foldable board for assembly line
/ ESD



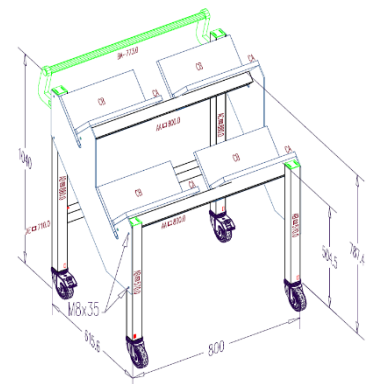
EC19C00319



EC19E00316



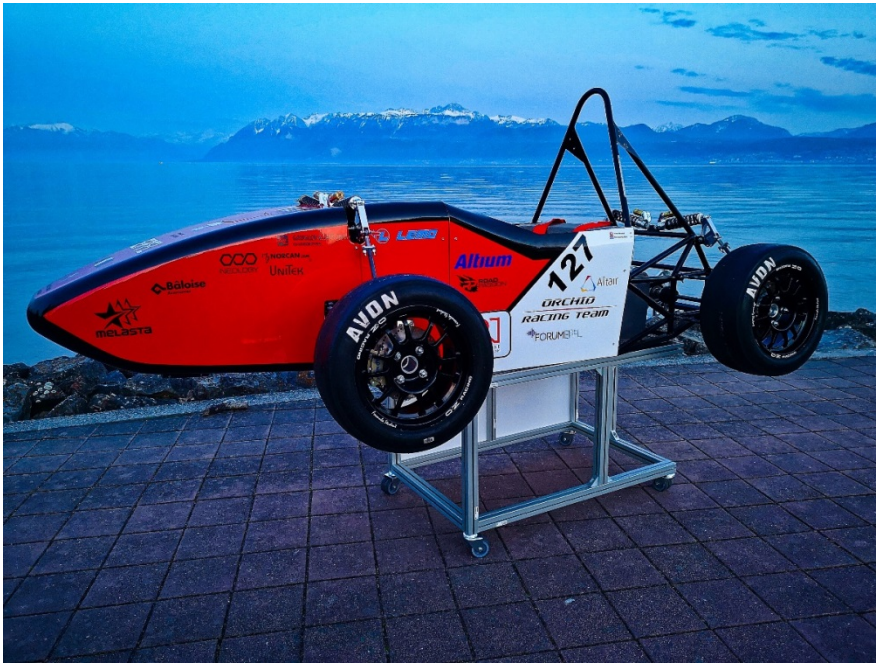
EC19K00332



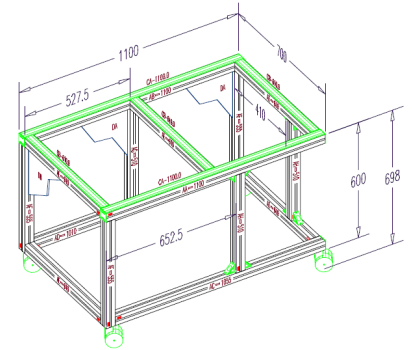
EC1900304



PR1903585 - PAG/VBE

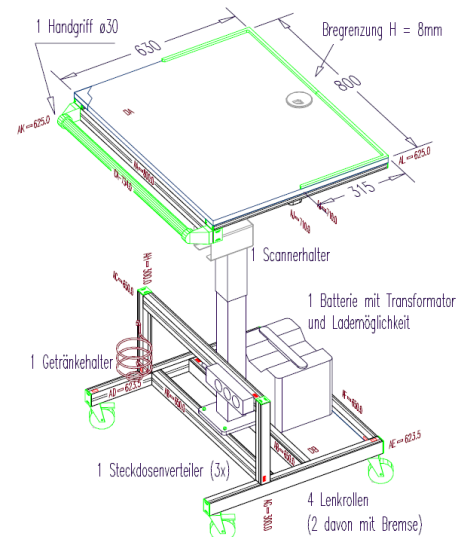


NORCAN
UNLIMITED CREATIVE SOLUTIONS



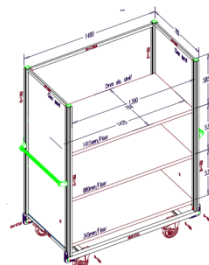
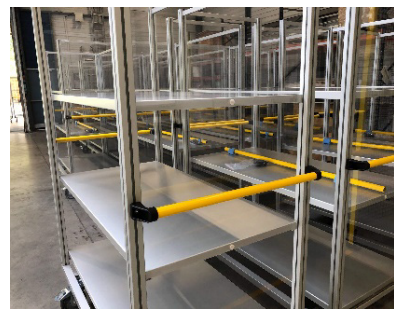
EC19F00262

PR1908779 - Norcan Gmbh – Mobile table with handles / maximum load 80 kg



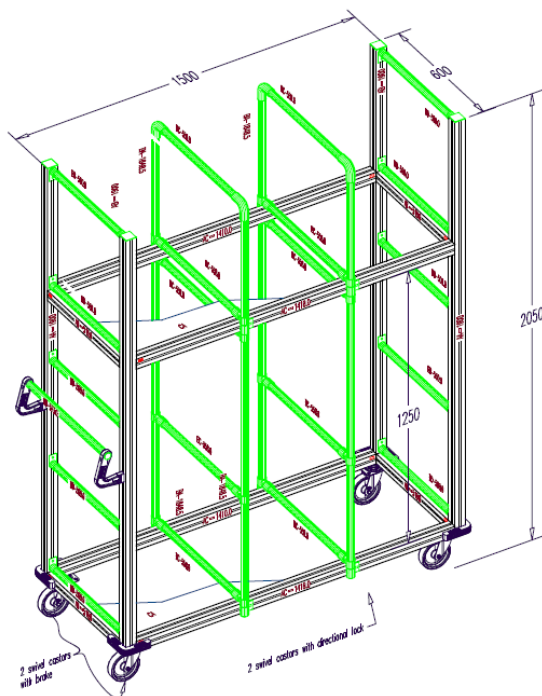
EC19P00020

PR1906241 - Norcan GmbH



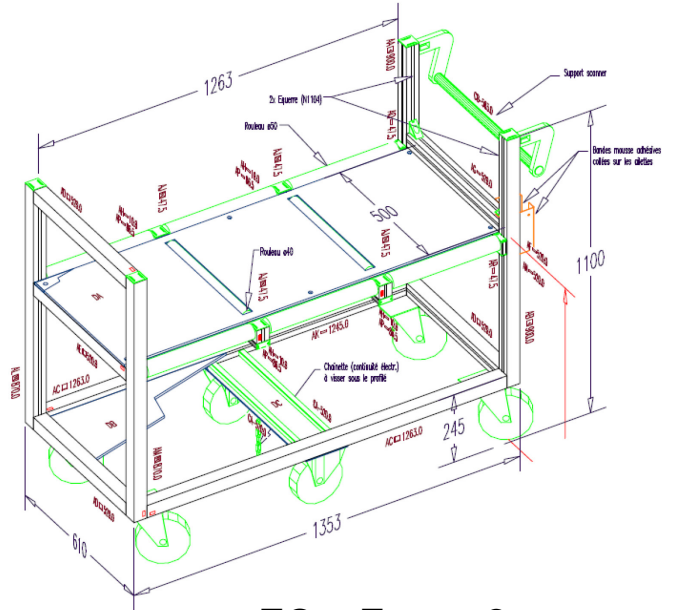
EC19A00078

PR1904834 - Norcan GmbH



EC18S00326

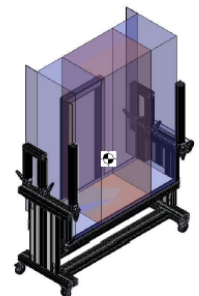
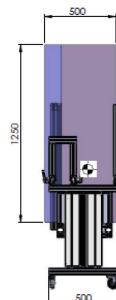
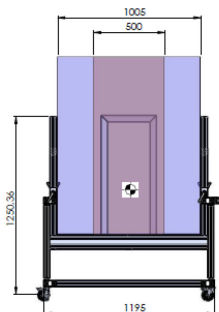
PR1908231 - CLI/VJU
Preparation trolley with rollers

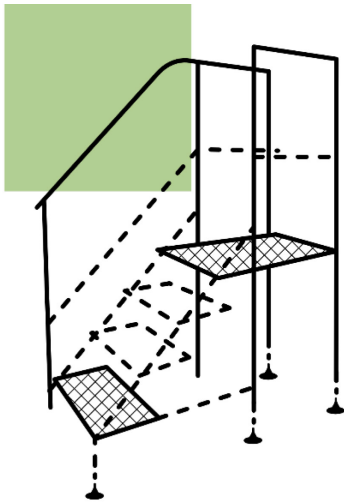


EC19F00108



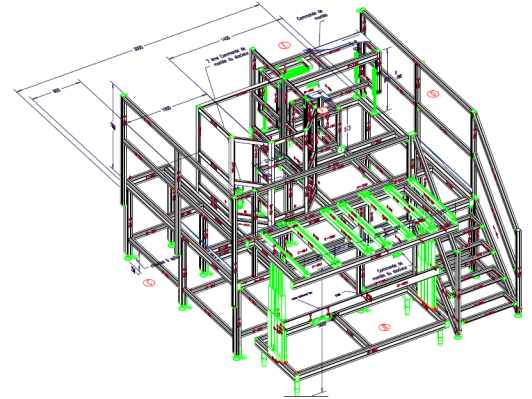
MN14839/MK6805 - ORI/OTB – Trolley to move windows - Norcan Hispanica





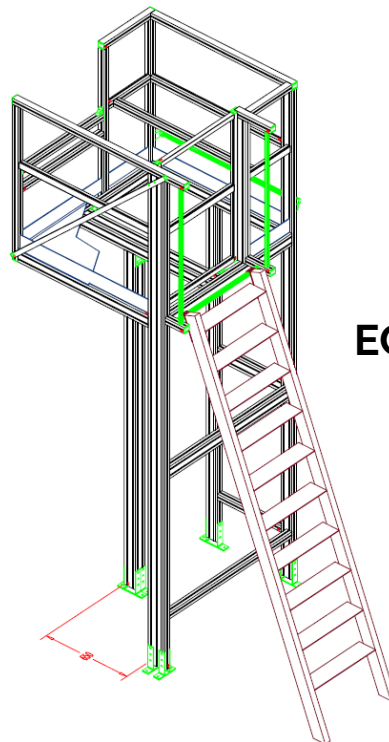
Access platforms,
angways and steps

PR1904678 - PAG/CHS - Platform

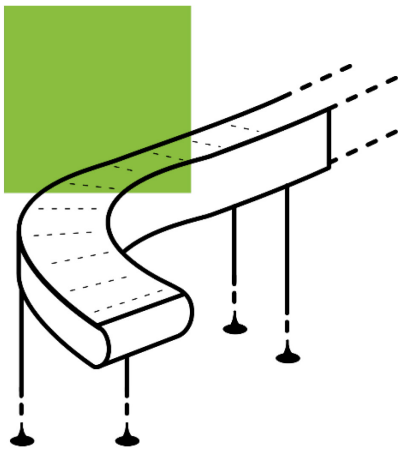


EC19N00133

PR1909307 - SEP/VBE
Lateral platform for press



EC19V00316



Material flows
and conveyors

PR1900871 – Whole set of conveyors-
RNA/DAR Automated conveyor for the
storage of pallets



EC18P00420

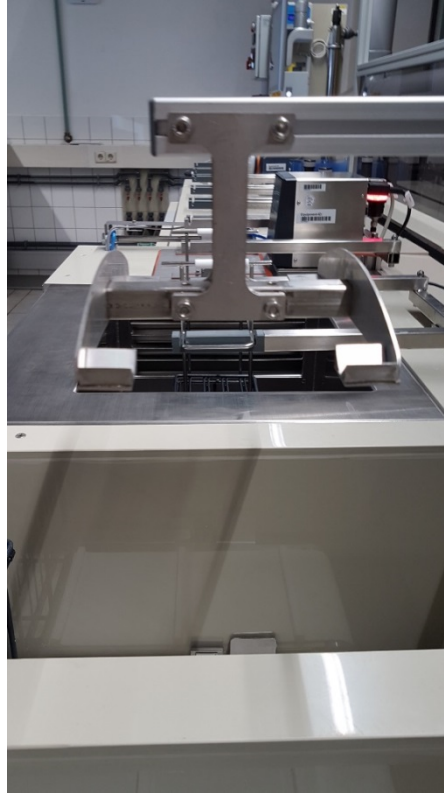
PR1904499 - RNA/DAR
Automated conveyor for the storage of
pallets



EC18L00138

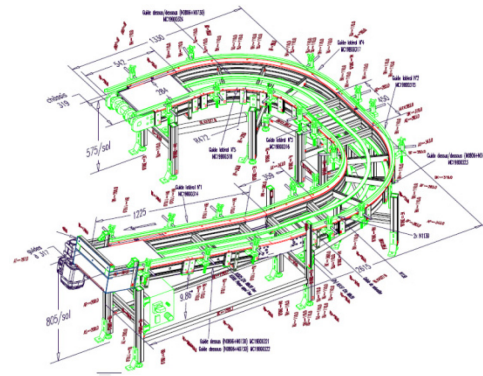
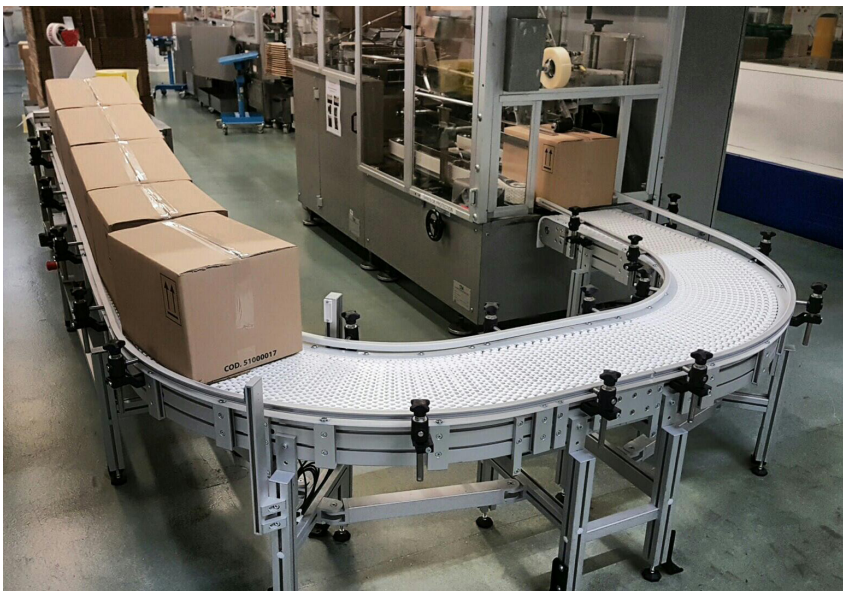


PR1902661 - PAS
Conveyor with a cleated belt



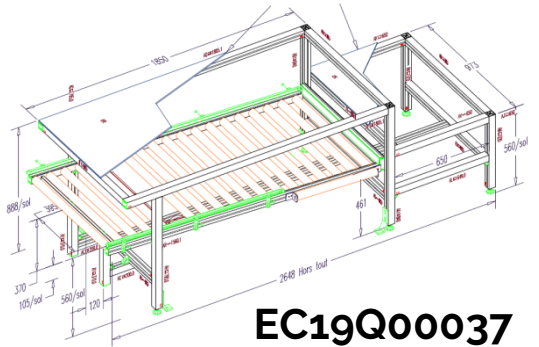
EC19F00286
EC19G00032
MC19G00049
MC19G0005

PR1800041 - PAG/PFJ
Conveyor with a modular belt



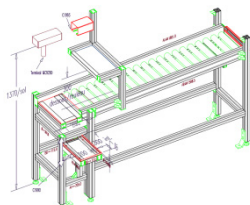
EC18W00308

PR1908092 - HRO/VJU
 Robot SHERPA connected device –
 gravity driven unloading dock



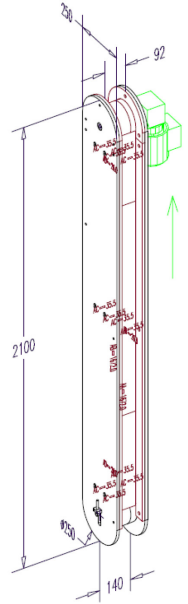
EC19Q00037

PR1903573 - MGR/QNI
 Filling line for cardboard boxes



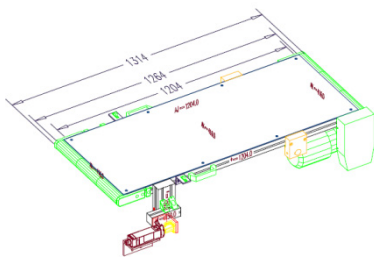
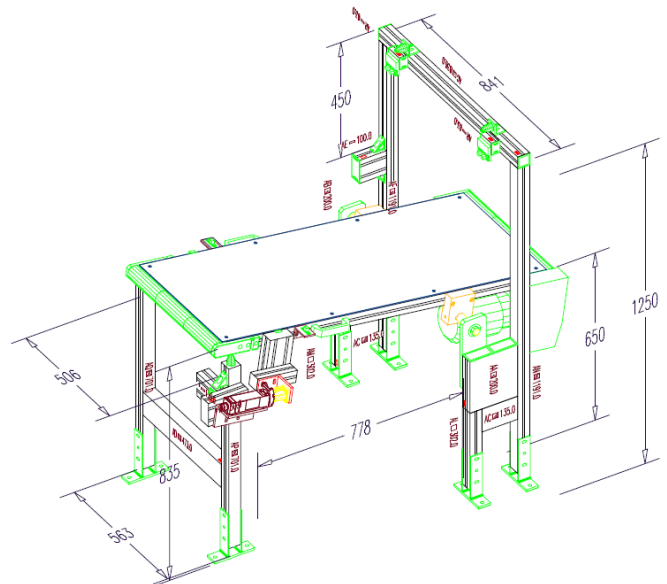
EC19V00373

PR1904157 - BMO/CLL
 Conveyor with vertical magnetic band for the transportation of springs



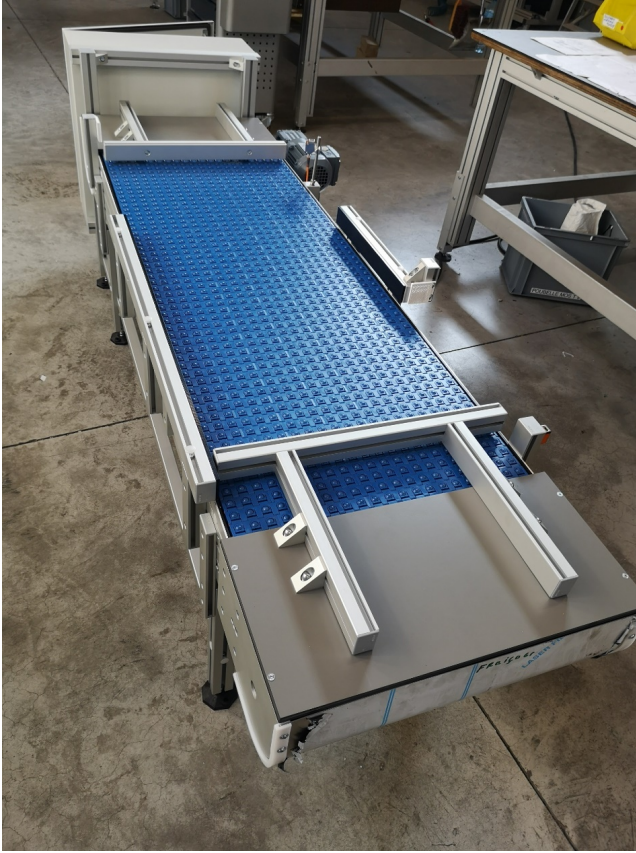
PR1900002 - MGR/NKO
 Drawbridge conveyor

EC19M00047

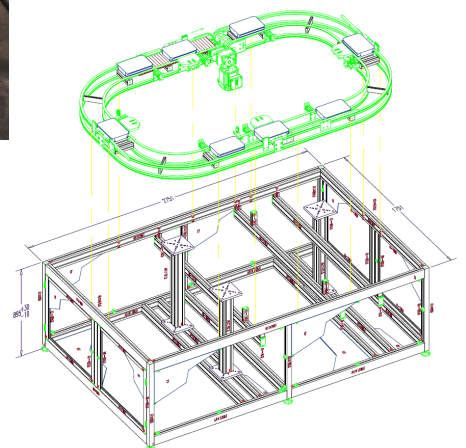
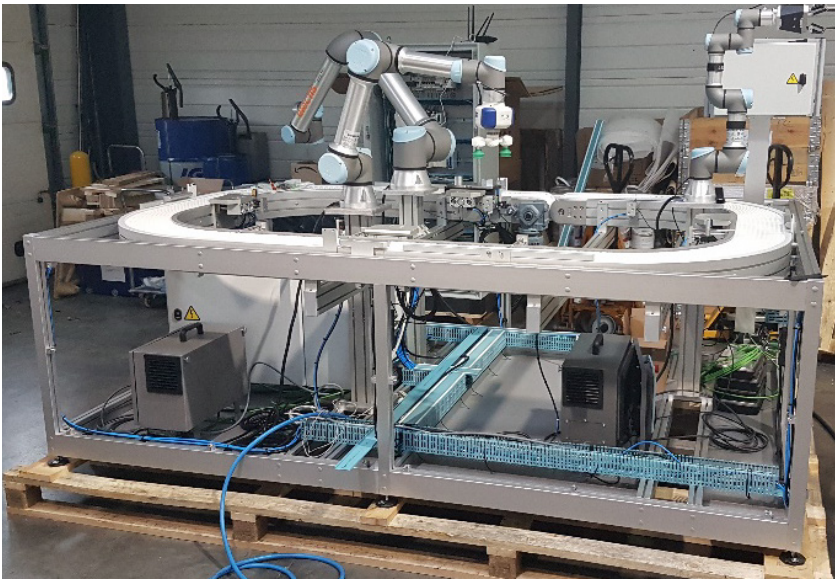


EC19G00113 / EC19U00215

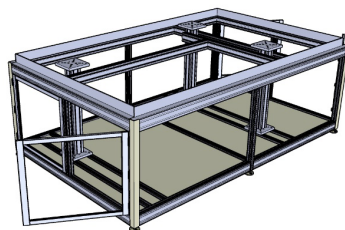
N18M041 - PAG/PFJ – Conveyor with a ball modular belt



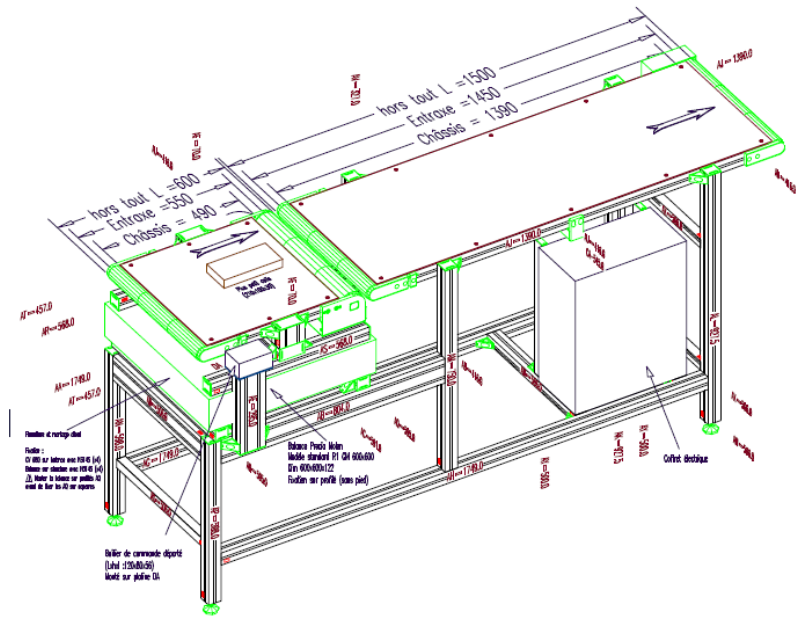
PR1905881 – Demo module with support
for 2 UR robots – Racetrack conveyor –
MGR/CLL



EC19M00047

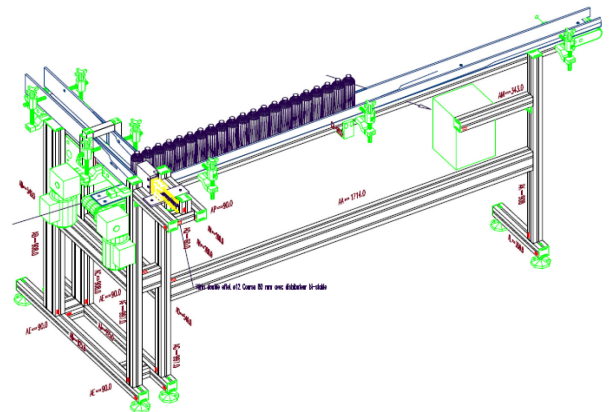


PR1905050 - PAG/PRB
 Conveyor for a counter- integrated scale (20g to 30kg) with package disposal

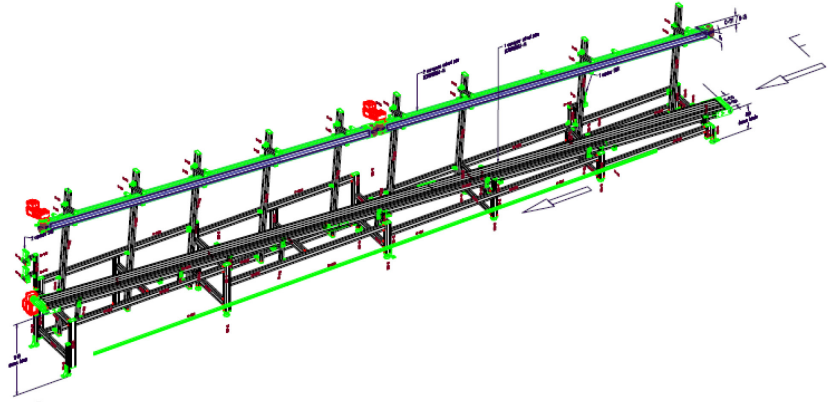


EC19M00103

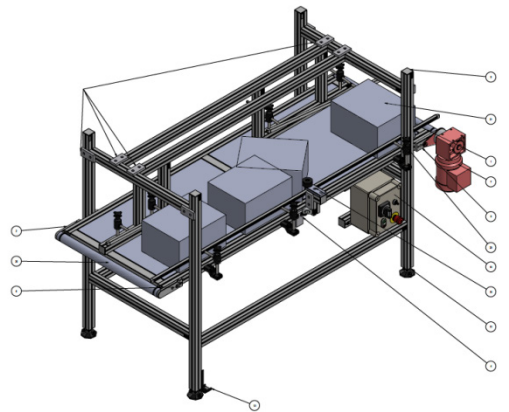
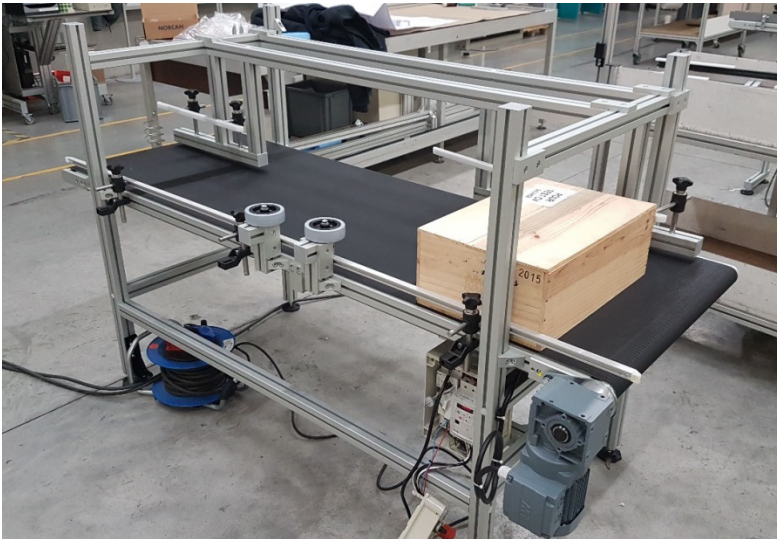
PR1907266 - LDB/NKO
 Conveyor with a feature for tilting vials



EC19N000118

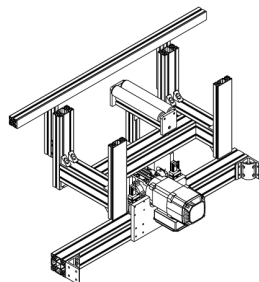
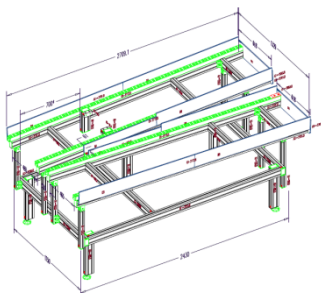


EC18P00062



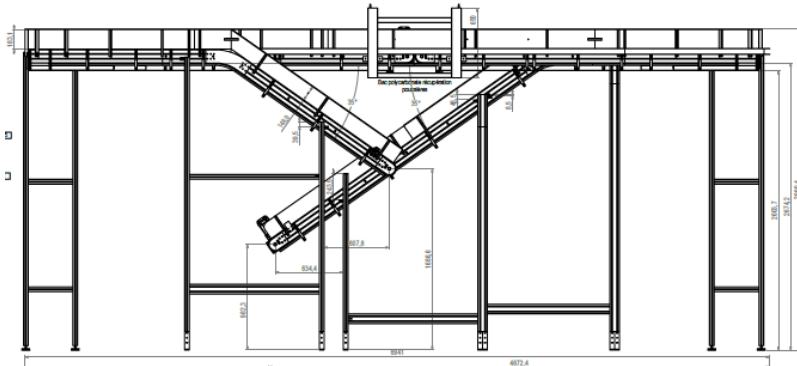


PR1905393 - MGR/BME - Conveyor line for boxes



- EC19L00092**
- EC19L00330**
- EC19L00331**
- EC19L00080**
- EC19M00129**

PR1908606 - MGR/PFJ Set of U type conveyors with modular belts / 3 meters high

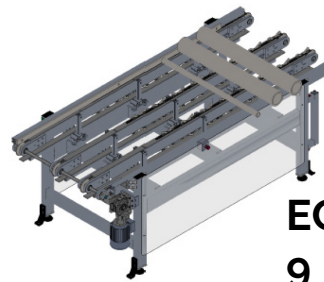
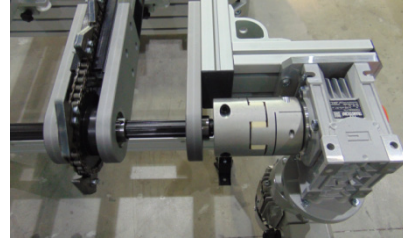


EC19U00219

N18N086 / N18S065 / N18L129 - FLA

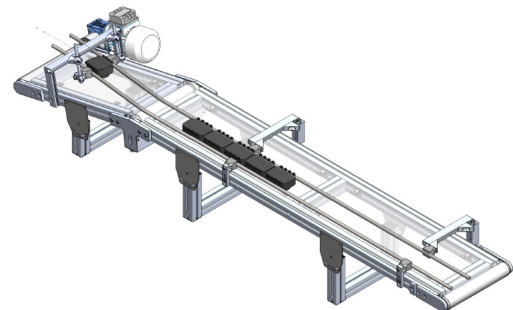


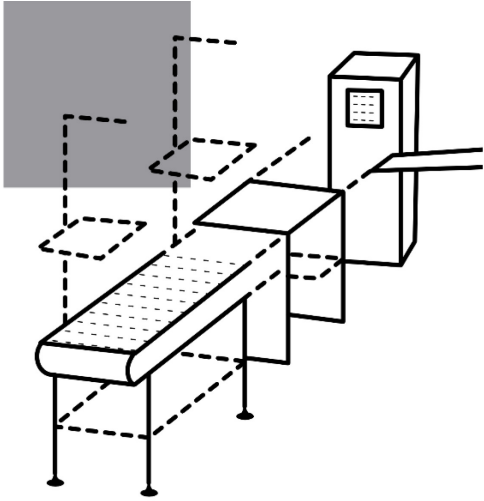
MN15724-MK8096 - ORI/JLL
 Chain conveyor for hydraulic pipes. The length of the pipe is adjustable by sliding each chain conveyor - Norcan Hispanica



EC19U0021
9

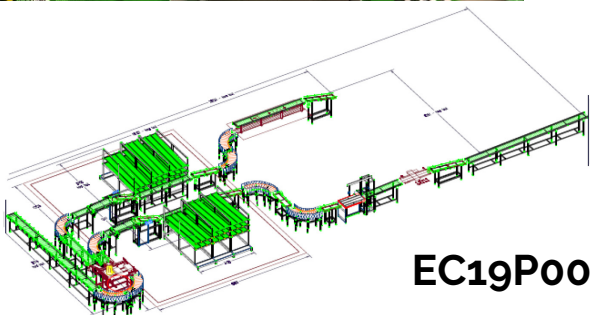
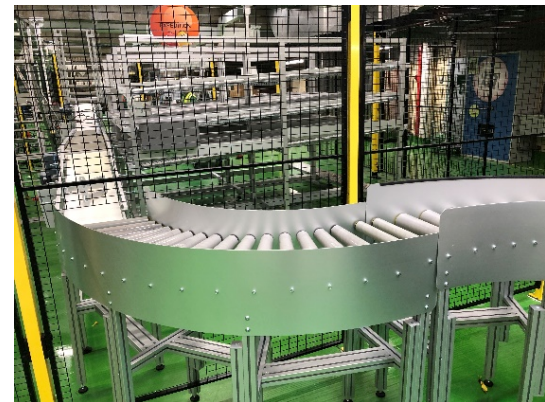
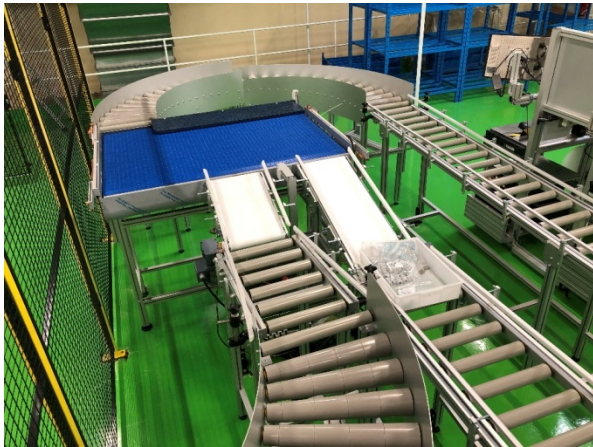
MN15327-MK7852 TrpØ50BRH-L 290x2075ec - SBM/JLL -
 Conveyor to transport parts in X and Z positions / for transfer machines - Norcan Hispanica





... specialized
production cells
and full installations

PR1907516 & PR1907649- RNA/PFJ/PRB/NIS –
Conveyor line

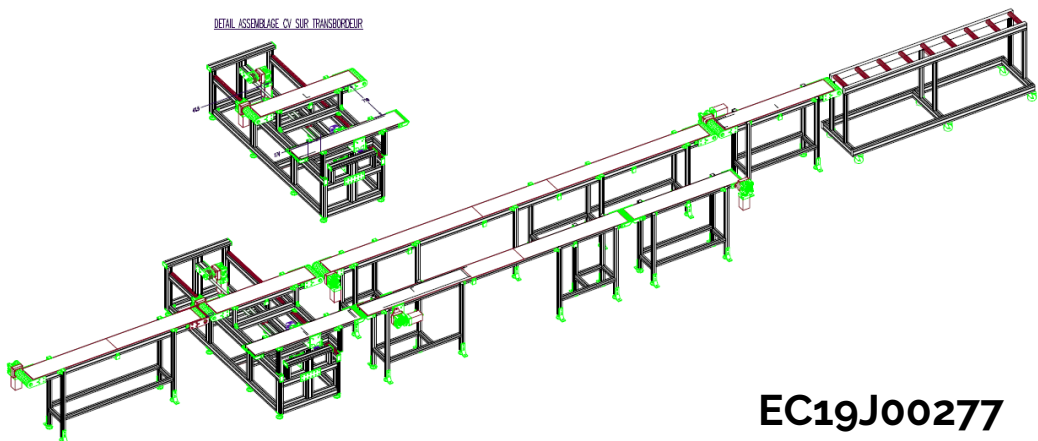
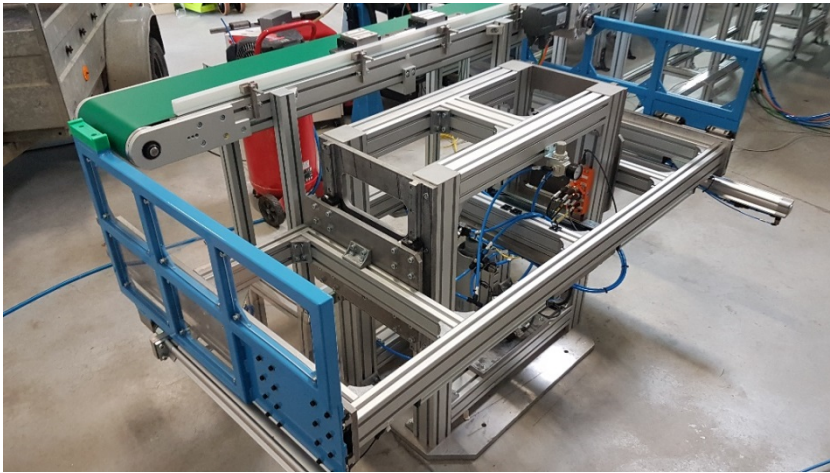
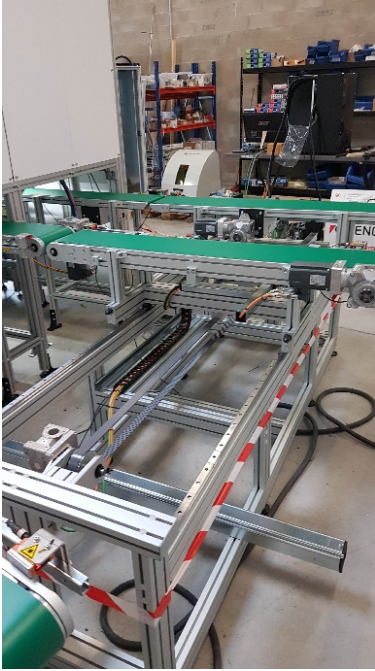


EC19P00243

Line and production cells (Tunisia)

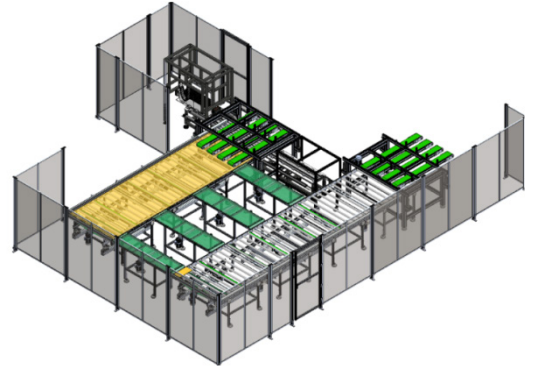


PR1902776 - MGR/BME
Conveyor with direct drive



EC19J00277

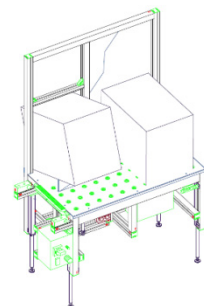
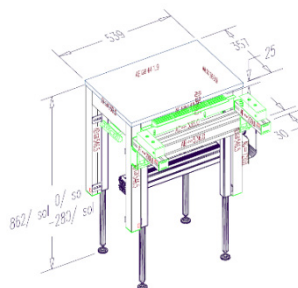
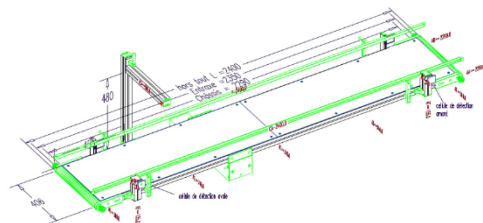
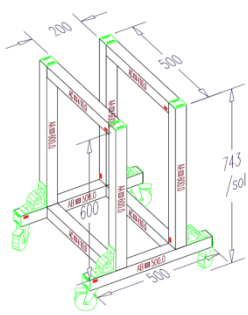
MN14872-MK7518 - SBM/JLL
Complete line for printing metallic
components. Entrance line to position the part,
then transport to the exit and the printing line.
/ Norcan Hispanica



M19080F5 - Convoyeur à bande diam 95 -
Norcan Maroc



PR1901294 - HRO/NKO
Convoyeur central / Table de déhousage / Table à bille / Chariot



EC19N00165-66-67-68

Salons 2019 – Trolley for picking/ Guarding system L and U shaped / Automated conveyors/ SHERPA robot / Screen support / Packing workstation



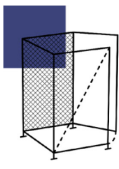


NORCAN

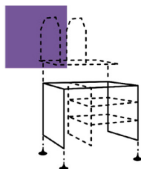
📍 48 rue des Aviateurs
67503 - Haguenau
☎️ + 33 3 88 93 26 26
✉️ info@mynorcan.com

NORCAN SVENSKA

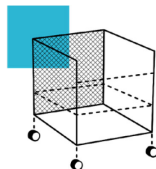
Bergsbrunnagatan 11
Se 753 23 UPPSALA
Tél. +46 18 14 52 14



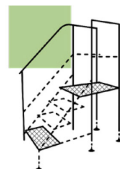
Machine frames and housings



Workstations and technical furniture



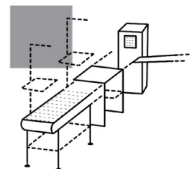
Trolleys & carts, material handling



Access platforms, gangways and steps



Material flows and conveyors



... specialized production cells and full installations